



Neurocomputing Approach for Firearm Identification

Nor Azura Md Ghani^{1*}, Choong-Yeun Liong² and Abdul Aziz Jemain²

¹Center for Statistical and Decision Sciences Studies, Faculty of Computer and Mathematical Sciences, Universiti Teknologi MARA, 40450 UiTM, Shah Alam, Selangor, Malaysia

²School of Mathematical Sciences, Faculty of Science and Technology, Universiti Kebangsaan Malaysia, 43600 UKM, Bangi, Selangor, Malaysia

ABSTRACT

This paper is an attempt to perceive and order guns using a two-layer neural system model taking into account a feedforward backpropagation calculation. Numerical properties from the joined pictures were utilised for enhanced gun characterisation execution. Inputs of the system model were 747 pictures blackmailed from the discharging pin impression of five differing guns model, Parabellum Vector SPI 9mm. Components created from the dataset were further grouped into preparation set (523 components), testing set (112 components) and acceptance set (112 components). Under managed learning, exact results exhibited that a two-layer BPNN of 11-11-5 arrangement, with tansig/purelin exchange capacities and a “trainlm” preparing calculation, had productively delivered 87% right aftereffect of grouping. The order result serves to be progressed and contrasted with the previous works. Finally, the joined picture districts can offer some accommodating data on the grouping of gun.

Keywords: Firearm classification, combined images, geometric moments, backpropagation neural network

ARTICLE INFO

Article history:

Received: 03 March 2017

Accepted: 28 September 2017

E-mail addresses:

azura@tmsk.uitm.edu.my,

azura158@salam.uitm.edu.my (Nor Azura Md Ghani),

lg@ukm.edu.my (Choong-Yeun Liong),

azizj@ukm.my (Abdul Aziz Jemain)

*Corresponding Author

INTRODUCTION

Acts, discernible as ‘wrongdoing’, have been troubling humanity for quite a while. Wrongdoing insights, including handguns and different guns, have been consistently expanding subsequent to the nineteenth century, i.e. after the great advancement had been seen in weapon innovation and in the huge creation of handguns everywhere throughout the world. In this way, the measures received to substantiate and test into the utilisation of gun in wrongdoings as court proof, or criminological ballistics as its

normal term, are crucial to the measure of moderating the wrongdoing rates. In the legal unit of the Royal Malaysian Police, legal ballistics indicates an extensive investigation of the brunt of shots and the shot qualities where noteworthy confirmation found can issue authoritative verdicts. To include, weaponry, ammo and imprint printing investigation are included in the instrument imprint and gun assessments to confirm the utilisation of specific gun or barrier apparatus in the occasions of wrongdoing. These imprints and physical signs of the qualities on the cartridge packaging head have a considerable part to play as they can indicate to us the part where a shot is activated from (Widrow, Rumelhart, & Lehr, 1994; Smith, Cross & Variyan, 1995). Exceptional imprints will be unmistakably seen on the housings and the projectile undertaking after dispatching a slug. Through and through, more than thirty distinct qualities of these imprints can deliver traceable ballistics fingerprinting which takes after typical human fingerprints (Burrard, 1995). As gun markings, the sort, model, and characteristics of every weapon work well with each other. Along these lines, this legal strategy is major to legitimate confirmation for various gun-related violations to be lessened.

There have been a few programmed ballistics recognisable proof frameworks developed such as IBIS, CONDOR, ALIAS, FIREBALL and EVOFINDER, which encourage specialists in drawing so as to make associations of wrongdoing cases a correlation of each trademark on the projectiles and the cartridge case pictures that have been identified in the present wrongdoing to the prior confirmations recorded in the database (Smith et al., 1995, Smith & Li, 2008; Geradts, Bijhold, Hermsen, & Murtagh, 2001). Normally, such errand experience time limitation since it must be contrasted and an effective measure of accessible confirmations in the records beforehand settled, furthermore a considerable amount of guns to be coordinated. An issue frequently happens when the agents judge wrongly through their naked eyes, a rate regularly termed as 'human mistakes'. It is additionally challenging to these examiners as manual investigation requires fastidious arranging and undisputable ability.

Along these lines, the guns inventoring utilising numerical attributes of the joined shooting pin impression picture in the feedforward backpropagation neural system (BPNN) are the highlight of this study because of the proficiency and adequacy of the counterfeit neural systems (ANNs) in grouping and making arrangements (Widrow et al., 1994). This has been made apparent through the ANNs' versatility to different trains and tries. The present study is an attempt to identify the gun by taking into account the guided elements of consolidated discharging pin impression pictures using the two-layer feed forward BPNN.

In Section 2, past inquires about that have stayed into gun distinguishing proof have been re-investigated, and segment 3 tests into the information foundation. A succinct portrayal of the neural system approach executed is given in segment 4, while the outcomes, together with compact exchanges on the neural system models that have been adjusted and the different backpropagation preparing calculations, are elaborated in segment 5. Finally, the general finish of the discoveries and some achievable proposals for further work are offered in segment 6.

PAST RESEARCH

Bonfanti and Kinder (1999) called attention to that the beginning of gun fingerprints is perceivable from the time the projectile is dispatched until it hits the objective, where each specific imprint is discovered either at the slug, cartridge packaging or discharging barrel. At that point, it is proposed by Xin et al. (2000) that a recognisable proof technique connected in gun official acknowledgment depends on magazine cases situated at the focal point of the shooting device of the cartridge cases. An intelligent framework and some proper methodologies that enable a prompt identification of the ID rates have been developed. Geradts, Bijhold, Hermsen, and Murtagh (1999, 2001) explained that the terminating pin is intense as it comprises of individual subtle elements for the cases portrayal. Meanwhile, Ghani, Liong, and Jemain (2009a, 2009b and 2010) stated that the vast majority of numerical components extricated from the terminating pin impression picture arrangement are runs of the mill highlights in gun ID. Some momentous essential measurements have effectively been developed to serve as the similar pointers in scientific ballistics examples. Leng and Huang (2012) presented another component termed as circle moment invariants for a more refined and discernable gun characterisation using some circle-brought together pictures.

The neural system used to distinguish guns was initially presented in 1994, where Kou, Tung, and Fu (1994) embraced the Self Organising Feature Map (SOFM) method in gun capabilities. Nonetheless, their work merely re-affirmed what past exploration had made on the subject, and effective occasions have yet to be accounted for. Geradts et al. (1999, 2001) have added to some picture coordinating polar calculations for gun recognisable proof using the shooting pin impression pictures and rupture face marks. Their work sets up that expel impact can be thought about all the more effectively utilising relationship examination. To acquire the most suitable lighting conditions required to elucidate the subject, diminish the blunder and streamline the yield, a handling step was initially forced through the histogram evening out strategy, where it was appeared to give a superior yield with a superior regenerative capacity. Xin, Zhou, and Rong (2000) utilised a combination of technique as a part of an intelligent way to achieve better results using cartridge cases with a groundwork situated at the focal point of the cases. Eventually, fruitful components were created as the work lands at its decision. Later, Kong, Li, and Watson (2003) and Li (2006) utilised neural system that weights on the SOFM neural system model, where the system is coordinated with a choice making procedure to group guns. Their findings indicated that the hybridised SOFM model has solid execution and quality. With reference to the past works (Kamaruddin, Ghani, Liong & Jemain, 2011), numerical elements of the whole terminating pin impression pictures were utilised to make order of guns. On the same note, ANNs were used to characterise execution by taking into account the cross-validation results.

DATA BACKGROUND

The numerical components used are the optional information set forth by Ghani et al. (2010). Illustrations of a cartridge packaging head, the whole terminating pin impression, full ring

picture of the terminating pin impression, and middle terminating pin impression are given in Figures 1(a), (b), (c) and (d), respectively. Initially, there were 6 best components of the entire terminating pin impression image, 8 best elements of the inside terminating pin impression picture, and 6 best elements of the ring terminating pin impression picture (Ghani et al., 2009a, 2009b and 2010). For the purpose of this study, however, focus was given on the eleven consolidated elements officially recognised in past studies. The specimen size of this study contained 747 numerical component vectors, and this implied that we have adequate example components serving as inputs in the neural system strategy, as proposed by Masters (1993), who stated that the minimal number of inputs in a neural system must be more than hundreds. The required variables are diverse sorts of guns utilised, marked as A, B, C, D and E. The autonomous variables are the best eleven geometric moment components of the consolidated picture. The neural system technique was executed using MATLAB R2010a.

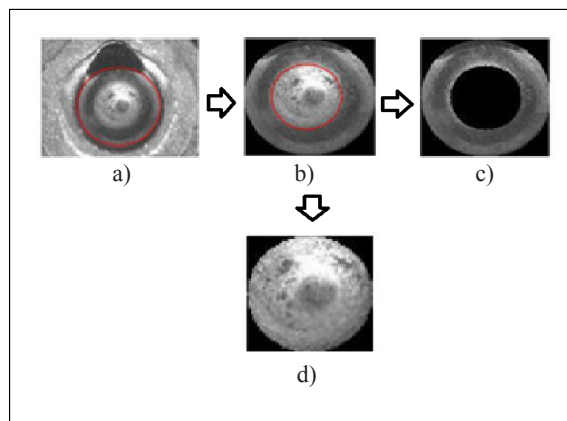


Figure 1. Extracted regions from the cartridge case image

The portrayals and documentations of the eleven components of the picture as the free variables are given in Table 1. The elements under centre were inclining toward the proposals built up in the past studies. For further elaboration on the components, consistent reference is made to Ghani et al. (2009a, 2009b and 2010).

Table 1
The eleven best features of the combined firing pin impression images

No.	Description	Notation
1.	M ₀₃ whole image	MP ₀₃
2.	M ₁₂ whole image	MP ₁₂
3.	M ₂₀ whole image	MP ₂₀
4.	M ₀₁ center image	MT ₀₁
5.	M ₀₂ center image	MT ₀₂
6.	M ₁₀ center image	MT ₁₀
7.	M ₁₁ center image	MT ₁₁
8.	M ₁₂ center image	MT ₁₂
9.	M ₂₁ center image	MT ₂₁
10.	M ₁₀ ring image	MC ₁₀
11.	M ₁₁ ring image	MC ₁₁

NEURAL NETWORK APPROACH

The component of normal human cerebrum capacities and the complicated way of learning and making judgments are repeated by the neural system, which includes a to a great extent parallel-circulated processor (neuro-PC) conveying the standard inclination for maintaining experiential information and programmed encompassing adjustment capacity. The learning procedure is likewise named the learning calculation. The solidified attestation on the utilisation of manufactured neural systems has been dictated by the understanding that individuals have over the confounded arrangement of the human mind, with the guide of the traditions of the computerised PC.

Upheld by adequate information depictions and evaluated results, the fake neural system is organised conveniently. Essentially, the Multilayer perceptrons (MLPs) are the feedforward systems with various circumspect neurons with no less than one careful layer. In this study, we utilised a double layer learning neural system.

A two-layer feedforward BPNN was utilised to separate the five distinct sorts of guns. The two layers in the system involve a computationally ascertained concealed layer and an objective yield layer. The neurons in the info layer are connected with the standardised inputs of the numerical elements of the shooting pin impression pictures, while the quantity of yield components is identified with the quantity of particular classes; this is the diverse sorts of guns explored. In the shrouded layer, the weight frameworks are associated with the inputs as they are data weight (IW).

At that point, they are associated from the concealed layer to the yield layer by layer weights (LW). Moreover, S1 and S2 speak to the first and second layers, separately. In the neural system, the yields of each middle person layer are likewise the approaching inputs to the resulting layer. For our situation, layer 2 is analysed as a layer system with LW_{2,1} weight network of S₂ x S₁ measurement, where S₁ is the yield of the principal layer and S₂ is the yield of the second layer. The inputs to layer 2 can be set apart as A₁, although A₂ is the system craved yield, Y. The inclination of the first and the second layers is connoted by B₁ and B₂, respectively. In

the interim, F1 and F2 are the actuation elements of layer one and layer two in the two layers of the system, respectively. In general, the mathematical statements of the double layer neural system proposed in this study can be made simpler, as communicated beneath:

The first layer,

$$A1 = F1(IW^{1,1}[P] + B1) \tag{1}$$

and then the second layer,

$$A2 = F2(LW^{2,1}[A1] + B2) = F2(LW^{2,1}[F1(IW^{1,1}[P] + B1)] + B2)$$

$$A2 = Y \tag{2}$$

The learning calculation viewed as normal for a preparation set of the MLP is the backpropagation calculation (BPA). For the premise of our comprehension, BPA worries with two stages; feedforward and in reverse stages. At the feedforward stage, the inputs are proliferated forward through the info hubs keeping in mind the end goal to work out the yield units, and in the regressive stage, the association weights are recharged with the figured and the real units subtracted at the yield layer (Master, 1993; Eberhart & Dobbins, 1990).

In this study, we concentrated on directed preparing, where the inputs and yields are as recognised before by Panca, Moch, and Nanang (2010). In the example acknowledgment hypothesis, the information was isolated into three sets; the preparation (70%), testing (15%) and acceptance (15%) sets. There are some key inputs contained in the preparation set for acknowledgment, predictable with the yields wanted. The subset or tests in the preparation set had been chosen and concentrated on, in a steady progression mechanically in the system. moment elements of the consolidated terminating pin impression pictures as the information. For each specimen, the yield acquired in the system was made to fit the desired yield until all the subsets of the preparation tests were completely utilised, as the weight that associated the system neurons was reestablished. For this case, the blunders set apart at each layer of the system could be lessened, and ideal results were accomplished with respect to the craved yield.

Figure 2 represents the applied procedure, keeping in mind the end goal to hunt down ideal feedforward BPNN. As shown in the figure, five stages were adapted from Ghani et al. (2010), including the cartridge case inputs, picture handling and division, and numerical components determination using Geometric Moments. In this study, a change is made by adding a double layer feedforward BPNN, starting from the procedure of information standardisation to that of weight and inclination modification with various backpropagation preparing calculations accessible in MATLAB planning to get the most ideal arrangement results.

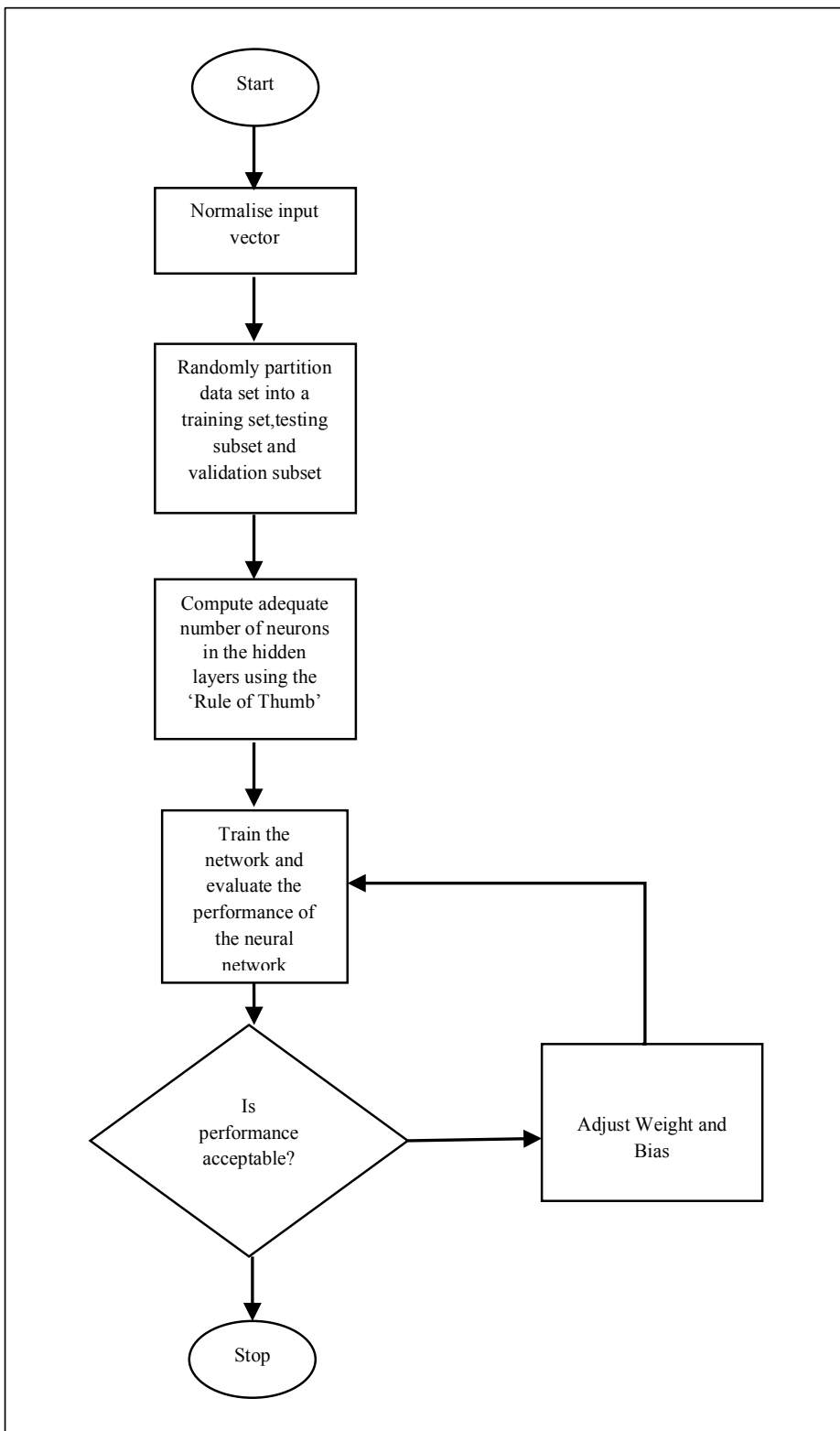


Figure 2. The steps in finding the optimal backpropagation neural network

The MATLAB Neural Network Toolbox (Demuth & Beale, 2001) can actualise speedier preparing procedures and not simply controlling the slope drop calculations, which can work up a hundred times quicker. The most workable calculations can be ordered into the heuristic methodologies (received in e.g. `traingda`, `traingdx` and `trainrp`) and numerical improvement approaches (embraced in e.g. `traincgf`, `traincgp`, `trainscg`, `trainbfg`, `trainoss`, and `trainlm`). The previous alludes to the progression from the standard inclination plummet calculation, while the last serves as the standard advancement application methods. The conspicuousness of this study is obvious in the utilisation of the arbitrary backpropagation preparing calculations since none of the calculations is best connected to each of the issues, as pointed out by Demuth and Beale (2001).

In the principal layer, a double layer system of the sigmoid initiation capacity and in the second layer, the straight enactment capacity, can be utilized effectively to register any useful relationship of the data and yield (2001). In the study, two distinct ways to deal with system structures (double layer tansig/tansig system and double layer tansig/purelin system) are embraced (see Figure 3).

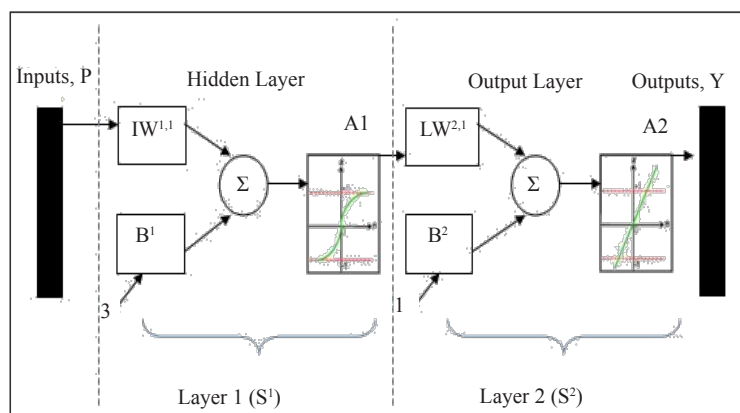


Figure 3. Two-layer tansig/purelin network

The focal point of our consideration is the utilisation of tansig enactment capacity in both the first and second layers since it is the most adaptable exchange capacities for comprehending the boolean values (0 to 1). The information and yield of the system were straightforwardly changed over into twofold values in the information standardisation stage, and later, some arrangement values were created by the system. The double layer tansig/purelin system can incorporate any utilitarian relationship between the inputs and yields with enough neurons.

RESULTS AND DISCUSSION

In this area, grouping exhibitions are quickly highlighted, alluding to two unmistakable neural system approaches with fluctuating sorts of BPA at a general right order rate, as to the eleven components of the consolidated impression pictures of the terminating pin.

Table 2 builds up the characterisation results from 11×523 inputs. The inputs were analysed and ordered by the two-layer tansig/tansig system, as per the gun sorts that had been utilised. It is clear that most guns were not grouped effectively with the outcome appeared to be under 70 percent. There were only three preparing calculations performing with over 70 percent accurate characterisation rates, namely, *traingd* (91%), *traingcp* (79%), *traingcb* (76%), and *traingcg* (79%). The sign is that the other preparing calculations were viewed as inadmissible for this situation. It is obvious that the numerical components of the consolidated impression pictures of the terminating pin are sufficient for ordering the gun. It is apparent that the *traingcp* and *traingcg* preparing calculations, in the direct two layer feedforward BPNN with tansig/purelin exchange capacities, have shown the most exact characterisation rate of the joined impression pictures of the terminating pin (79%).

Table 2

Classification rates of different backpropagation training algorithms based on the two-layer network of tansig/tansig transfer functions

Backpropagation Training Algorithms	Overall Correct Classification Rate	Number of neurons	
		L1	L2
<i>traingd</i>	65%	11	5
<i>traingdm</i>	67%	11	5
<i>traindx</i>	49%	11	5
<i>trainrp</i>	52%	11	5
<i>traingcf</i>	68%	11	5
<i>traingcp</i>	79%	11	5
<i>traingcb</i>	76%	11	5
<i>traingcg</i>	79%	11	5
<i>trainbfg</i>	56%	11	5
<i>trainoss</i>	64%	11	5
<i>trainlm</i>	43%	11	5
<i>trainbr</i>	48%	11	5

Table 3 outlines the arrangement consequences of fluctuating backpropagation preparing calculations taking into account the right grouping rate in respect of the components of the impression picture. The arrangement of the two-layer tansig/purelin of the 11-11-5 direct structure system is executed. Just like the past tansig/tansig system, the distinctive backpropagation preparing calculations were also received so that their suitability in the system could be inspected and the arrangement execution could be seen at the accurate grouping rate, which is more than 60%. As shown in Table 3, the most suitable backpropagation preparing calculations incorporate *traingd* (73%), *traindx* (75%), *traingcf* (73%), *traingcp* (78%), *traingcg* (84%), and *trainbfg* (81%). Thus, our perusing demonstrates that *trainlm* revealed the most elevated score of 87 percent, showing that the calculation relegates the most focused on set to the approved set precisely as to the gun sorts. As a rule, the system of two-layer tansig/purelin beat the two-layer tansig/tansig system in this study (see Figure 3).

Table 3
Classification rates of different backpropagation training algorithms based on the two-layer network of tansig/purelin transfer functions

Backpropagation Training Algorithms	Overall Correct Classification Rate	Number of neurons	
		L1	L2
traingd	73%	11	5
traingdm	64%	11	5
traindx	75%	11	5
trainrp	67%	11	5
traingcf	73%	11	5
traingcp	78%	11	5
traingcb	64%	11	5
traingcg	84%	11	5
trainbfg	81%	11	5
trainoss	66%	11	5
trainlm	87%	11	5
trainbr	65%	11	5

CONCLUSION

By and large, the most attributes must be given to the two layer direct feedforward BPNN with tansig/purelin exchange capacities inclining toward the “trainlm” preparing calculation with the system design 11-11-5. It is further affirmed by the entire accurate order rate of 87% indicating that the numeric geometric moment element in gun grouping is viable.

Thus, it can be concluded that the numerical elements of the consolidated terminating pin impression pictures have demonstrated to be better pointers for gun characterisation. The outcome is very low in comparison with our past works using the numerical elements of the entire terminating pin impression pictures as in Kamaruddin et al. (2011), and the ring terminating pin impression pictures in Kamaruddin, Ghani, Liong, and Jemain (2012), where the general order rates recorded 96% and 98%, respectively. The outcome confirms that the joined picture areas yield significant data on gun characterisation. The characterisation result perceptible in Kamaruddin et al. (2012) is as significant as that of Leng and Huang (2012).

Further investigation should utilise crucial measurable elements that had been created in the past works of Ghani et al. (2009a, 2009b and 2010), in which other neural system strategies such as the convolution neural system can be broken down. This is the point at which picture subtleties can be concentrated more effectively.

ACKNOWLEDGEMENT

The authors would like to express gratitude to the Royal Malaysian Police for its assistance on the laboratory procedures. Special thanks also go to Universiti Teknologi MARA for supporting this research under Research Grants 600-RMI/DANA 5/3/PSI (65/2013) and No. 600-RMI/DANA 5/3/CIFI (65/2013).

REFERENCES

- Bonfanti, M. S., & Kinder, J. D. (1999). The Influence of Manufacturing Processes on the Identification of Bullets and Cartridge Cases- A Review of the Literature. *Journal of Science and Justice*, 39(1), 3-10.
- Burrard, G. (1951). *Identification of Firearms and Forensic Ballistics*. London: Herbert Jenkins.
- Demuth, H., & Beale, M. (2001). *Neural Network for Use with MATLAB*. Version Four, 3 Apple Hill Drive, Natick, MA: TheMathWorks.
- Eberhart, R. C., & Dobbins, R. W. (1990). *Neural Network PC Tools: A Practical Guide*. San Diego, California: Academic Press.
- Geradts, Z., Bijhold, J., Hermsen, R., & Murtagh, F. (1999). Pattern Recognition in a Database of Cartridge Cases. In *Proceedings of the International Society for Optical Engineering: Investigation and Forensic Science Technologies* (pp. 104-115). SPIE International Society For Optical.
- Geradts, Z., Bijhold, J., Hermsen, R., & Murtagh, F. (2001). Image Matching Algorithms for Breech Face Marks and Firing Pin in a Database of Spent Cartridge Cases of Firearms. *Forensic Science International*, 119(1), 97-106.
- Ghani, N. A. M., Liong, C. Y., & Jemain, A. A. (2009a). Extraction and Selection of Basic Statistical Features for Forensic Ballistic Specimen Identification. *Sains Malaysiana*, 38(2), 249-260.
- Ghani, N. A. M., Liong, C. Y., & Jemain, A. A. (2009b). Analysis of Geometric Moments as Features for Identification of Forensic Ballistics Specimen. *Lecture Notes in Computer Science* (pp. 604-611). Berlin: Springer.
- Ghani, N. A. M., Liong, C. Y., & Jemain, A. A. (2010). Analysis of Geometric Moments as Features for Firearm Identification. *Forensic Science International*, 198(1-3), 143-149.
- Kamaruddin, S. A., Ghani, N. A. M., Liong C. Y., & Jemain, A. A. (2011). Firearm recognition based on whole firing pin impression image via back propagation neural network. In *Proceedings of IEEE: International Conference on Pattern Analysis and Intelligent Robotics* (pp. 177-182). IEEE.
- Kamaruddin, S. A., Ghani, N. A. M., Liong, C. Y., & Jemain, A. A. (2012). Firearm Classification using Neural Networks on Ring of Firing Pin Impression Images. *Advances in Distributed Computing and Artificial Intelligence*, 1(3), 27-35.
- Kong, J., Li, D. G., & Watson, A. C. (2003). A Firearm Identification System based on Neural Network. *Advances in Artificial Intelligence, Lecture Notes in Computer Science* (pp. 315-326). Springer, Berlin, Heidelberg.
- Kou, C., Tung, C. T., & Fu, H. C. (1994). Firearms Identification based on SOFM Model of Neural Network. In *Proceedings of IEEE: International Carnahan Conference on Security Technology* (pp. 120-125). IEEE.
- Leng, J., & Huang, Z. (2012). On Analysis of Circle Moments and Texture Features for Cartridge Images Recognition. *Expert Systems with Applications*, 39(2), 2902-2101.
- Li, D. (2006). A New Approach for Firearm Identification with Hierarchical Neural networks based on Cartridge Case Images. In *Proceedings of IEEE: 5th IEEE International Conference on Cognitive Informatics* (pp. 923-928).IEEE.
- Masters, T. (1993). *Practical Neural Network Recipes in C++*. San Diego: Academic Press.

- Panca, M. R., Moch, R., & Nanang, S. (2010). The Implementation of Feedforward Backpropagation Algorithm for Digit Handwritten Recognition in a Xilinx Spartan-3. *Journal Electrics Electronics Communication Controls Informatics Systems*, 4(2), 17-21.
- Smith, C. L., Cross, J. M., & Variyan, G. J. (1995). *FIREBALL: An Interactive Database for the Forensic Ballistic Identification of Firearms*. Research Report, Australian Institute of Security and Applied Technology, Edith Cowan University, Western Australia.
- Smith, C. L., & Li, D. (2008). Intelligent imaging of forensic ballistics specimens for ID. In *Proceedings of IEEE: Congress on Image and Signal Processing* (pp. 37-41). IEEE.
- Widrow, B., Rumelhart, D., & Lehr, M. A. (1994). Neural Networks: Applications in Industry, Business and Science. *Communications of the Association for Computing Machinery*, 37(3), 93-105.
- Xin, L. P., Zhou, J., & Rong, G. (2000). A Cartridge Identification System for Firearms Authentication. In *Proceedings of IEEE: 5th International Conference on Signal Processing* (pp. 1405-1408). IEEE.